

Körperschalllautsprecher EXT-2513D17

Art. Nr. 105017

Specification:

NO	ITEM	SPECIFICATION
1	Mechanical Layout & Dimensions	Shown in the Driver-02.Drw
2	Nominal Impedance	$8\Omega \pm 15\%$ at 1KHZ, 1.0V (D.C.R= $7.2\Omega \pm 10\%$)
3	Input Power	Nom. Input 5W
		Max. Input 10W
4	Operation	4.47 Volt (200Hz-20KHz) Sweep Time at 2s
5	Resonant FerO. F0	$320 \pm 20\%$ HZ (F0 Meter)
6	Flux Density	12000 GAUSS $\pm 10\%$
7	Insulation Resistance	No Less than 1M at DC 100V
8	Polarity	When positive voltage is applied to the (+) Terminal, Voice Coil should move out to of the Air gap.
9.	Weight	$59g \pm 10\%$ (Driver weight)
10	Power Test	IEC 268-5 6.32V 48 Hours
11	Heat Resistance	Temperature: $+60^{\circ}\text{C} \pm 2^{\circ}\text{C}$
		Duration: 24 hours
12	Humidity Resistance	Temperature: $+40^{\circ}\text{C} \pm 2^{\circ}\text{C}$
		Relative Humidity: 93(+2/-3)%
		Duration: 48 Hours(GB)
13	Low Resistance	Temperature: $-10^{\circ}\text{C} \pm 3^{\circ}\text{C}$ testing 1 Hours (GB)
		And then $-20^{\circ}\text{C} \pm 3^{\circ}\text{C}$ testing 2 Hours(GB)
14	Dropping Test	$600 \pm 25\text{mm}$ $60^{\circ} \pm 5^{\circ}$ (GB)

Körperschalllautsprecher EXT-2513D17

Art. Nr. 105017

Sample Testing Report:

NO	ITEM	TESTING CONDITIONS	No1	No2	No3	No4	Result
1	Speaker Size	Out Diameter : Φ 45.2 \pm 0.3mm	45.2	45.2	/	/	OK
2	Impedance	8 Ω \pm 15 % At 1KHZ,1.0V (D.C.R:9.5 Ω \pm 10%)	7.2	7.2	/	/	OK
3	Resonance Frequency	320Hz \pm 20% (F0 Meter)	320	320	/	/	OK
4	Buzz & Rattle Test	Must Be Normal: Wave4.47V (Form 200Hz To 20KHz)	√	√	/	/	OK
5	Polarity	When a positive D.C voltage is applied To the voice coil terminal marked to Diaphragm should move to the front	√	√	/	/	OK
6	Flux Density	12000GAUSS \pm 10%	12000	12100	/	/	OK
7	Power Test	IEC 268-5 6.32V 48 Hours	√	√	/	/	OK
8	Heat Resistance	Temperature: +60°C \pm 2°C Duration: 24 Hours	√	√	/	/	OK
9.	Humidity Resistance	Temperature: +40°C \pm 2°C Relative Humidity: 93(+2/-3)% Duration: 48 Hours(GB)	√	√	/	/	OK
10	Low Temperature	Temperature: -10°C \pm 3°C testing 1 Hours And then -20°C \pm 3°C testing 2 Hours(GB)	√	√	/	/	OK
11	Dropping Test	600mm \pm 25mm 60° \pm 5° (GB)	√	√	/	/	OK

Körperschalllautsprecher EXT-2513D17

Art. Nr. 105017

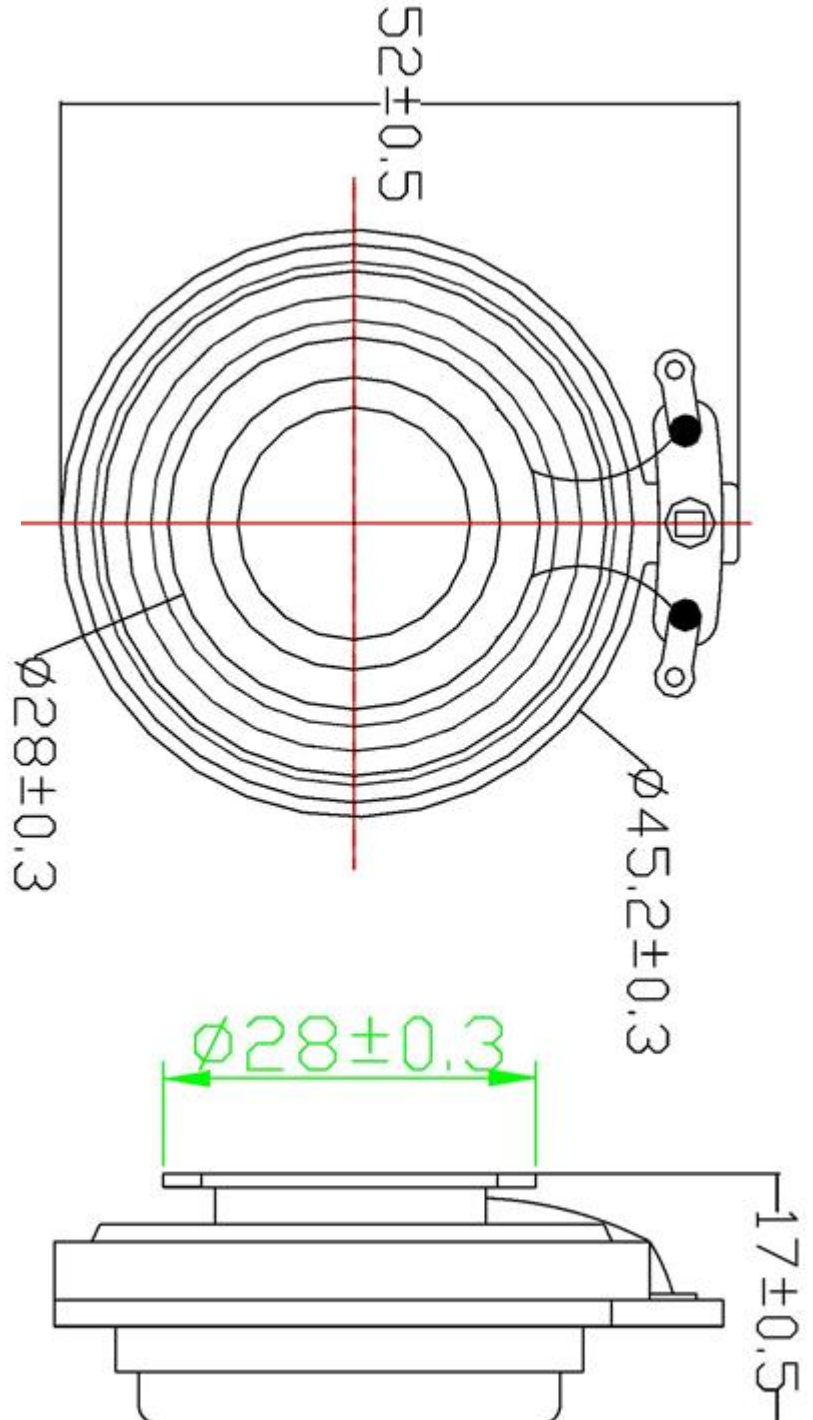
RoHS Substance Confirmation Form:

NO	SUPPLY ITEM		RoHS Substance Inspection Result						Survey Report No
			Cd	Pb	Hg	Cr6+	PBB	PBDE	(6 Material)
	Item	Material	100	100	1000	1000	1000	1000	Ppm
1	磁 铁	NDFEB	ND	ND	ND	Negative	ND	ND	ECL01J082385007ER1
			OK	OK	OK	OK	OK	OK	2017/12/29
2	U 铁	Fe	ND	ND	ND	Negative	ND	ND	CANEC1809189304
			OK	OK	OK	OK	OK	OK	2018/05/18
3	华 司	Fe	ND	ND	ND	Negative	NA	NA	A21800421761101001
			OK	OK	OK	OK	NA	NA	2018/04/09
4	音 圈	ASV	ND	ND	ND	ND	ND	ND	SH190800114C01C
			OK	OK	OK	OK	OK	OK	2019/09/04
5	弹 波	混统	ND	ND	ND	ND	ND	ND	C200806033001
			OK	OK	OK	OK	OK	OK	2020/08/11
6	端 子	/	ND	ND	ND	Negative	ND	ND	CANEC2002318903
			OK	OK	OK	OK	OK	OK	10 Mar 2020
7	介 子	PC	ND	ND	ND	ND	ND	ND	KA/2016/C1777
			OK	OK	OK	OK	OK	OK	2016/01/06
8	胶 水	/	ND	ND	ND	ND	ND	ND	A220011328710100204E
			OK	OK	OK	OK	OK	OK	2020/04/16~2020/04/23

Körperschalllautsprecher EXT-2513D17

Art. Nr. 105017

Dimension:



Körperschalllautsprecher EXT-2513D17

Art. Nr. 105017

